

LEO  
by  
bürotime

technical document



Inspired by the graceful and flexible movements of ballerinas, Leo stands out with its specially crafted breathable, durable mesh structure.



Its monobloc body, with the back and seat made of mesh, supports the natural curve of the spine, applying equal pressure to the user's body and distributing the load evenly.



With its modern and stylish design, Leo adds an elegant touch to workspaces, meeting rooms, and home office environments.



product family \_\_\_\_\_

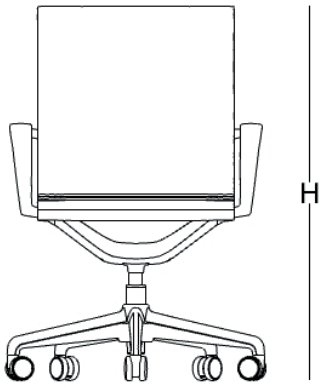


Leo Grey



Leo Black

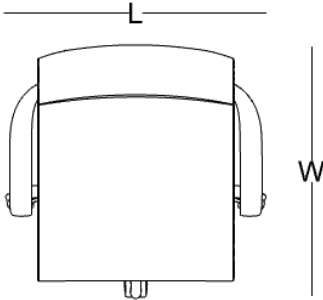
size chart \_\_\_\_\_



W 56

L 59

H 93



## color options

---

### mesh

---



grey



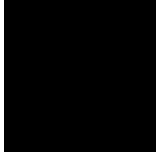
black

### Plastic

---



grey



black