

PUZZLE
HIGH
by
bürotime

technical document



PUZZLE HIGH



Duygu Aslanel

“Puzzle High; allows the organization of areas for meeting and sharing ideas that bring interaction to the forefront by changing the monotonous working conditions of the users. It promotes collaboration and productivity. It offers a holistic solution to the new generation working needs with its accessories which enable the integration of units such as TV, storage units and with the dimensions and module varieties. It is an ideal option for individual work as well as teamwork and meetings. It creates the feeling of a separate space by isolating the meeting environment from the open office space in terms of sound and image.”

product family _____

table



meeting unit with monitor hanger



meeting unit



size chart

H 110

table
W 60 L 160

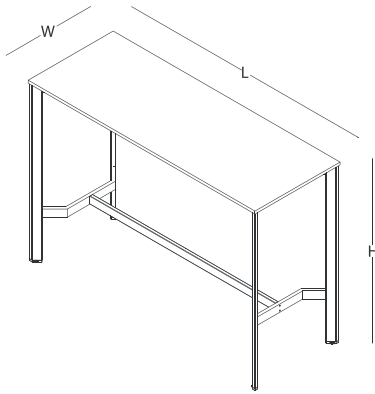
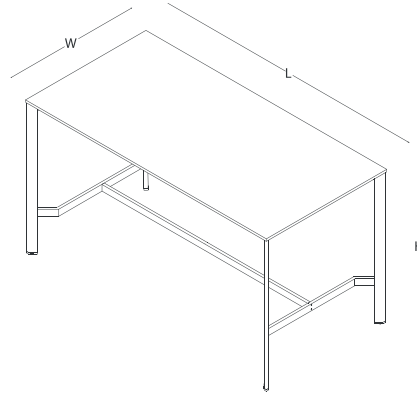
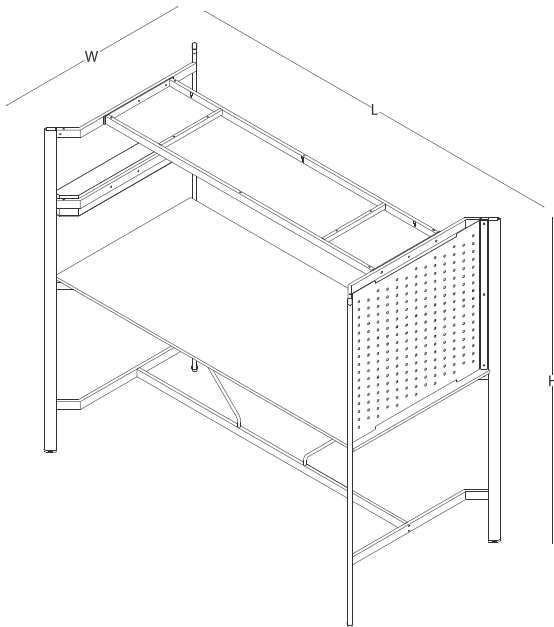


table
W 100 L 200

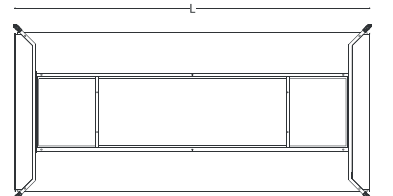
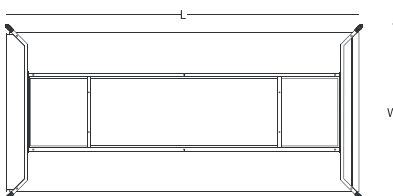
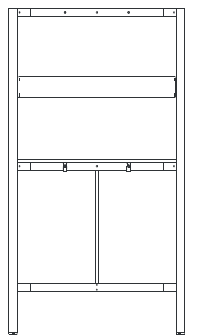
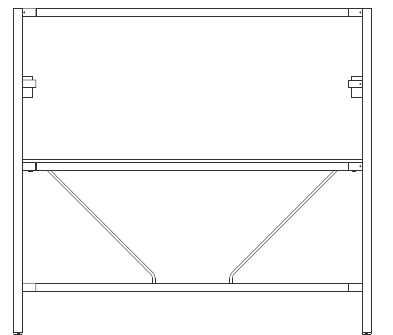
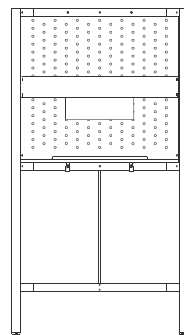
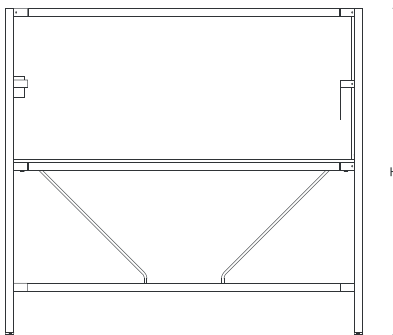
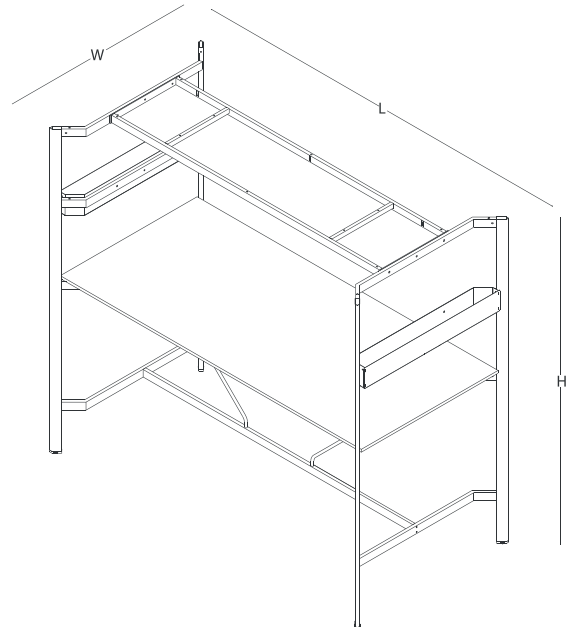


H 205
W 110
L 225

meeting unit with monitor hanger

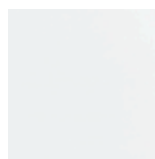


meeting unit



color options _____

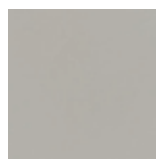
melamin - table top



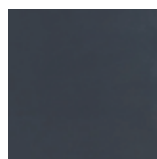
white



grey



sand



anthracite



black



samba walnut



oleaster



ash oak



hazelnut



acacia



natural oak

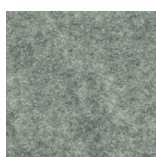


african oak

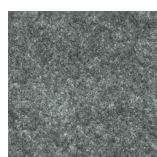
sonus (only for meeting units)



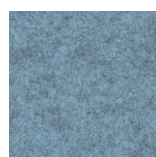
SN101
yellow



SN103
light grey



SN104
dark grey



SN106
ice blue



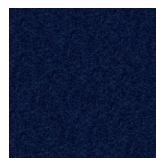
SN107
dark beige



SN111
turquoise

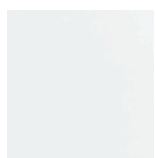


SN112
apple green



SN116
navy blue

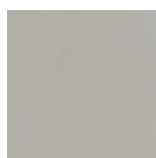
metal - leg and structure



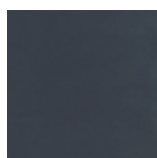
white



grey



sand



anthracite



black



blue



green